

Talis Select S
Prep Kitchen Faucet, 2-Spray Pull-Out, 1.75 GPM
 Finish: **Steel Optic** Part no. : **72824801**



Description

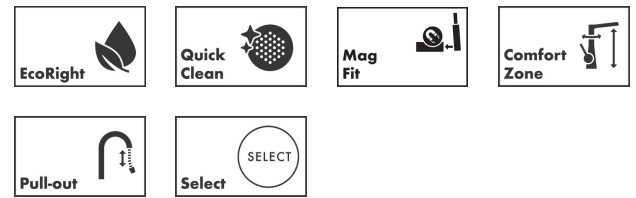
Features

- Swivel range 110° / 150°
- Laminar spray, needle spray, Shower spray pattern
- Toggle spray diverter
- Select button provides convenient start/stop of the water flow at the sprayhead
- MagFit magnetic sprayhead docking
- Deck mounted
- Max. flow: 1.75 GPM (6.6 L/Min)
- Ceramic cartridge
- 3/8" connections
- Integrated double backflow prevention
- Extension length up to 19 5/8" (50cm)
- Single lever kitchen mixer, connection hoses, Fastening set, Mounting Material, Assembly instructions

Item details

List Price \$ 996.00

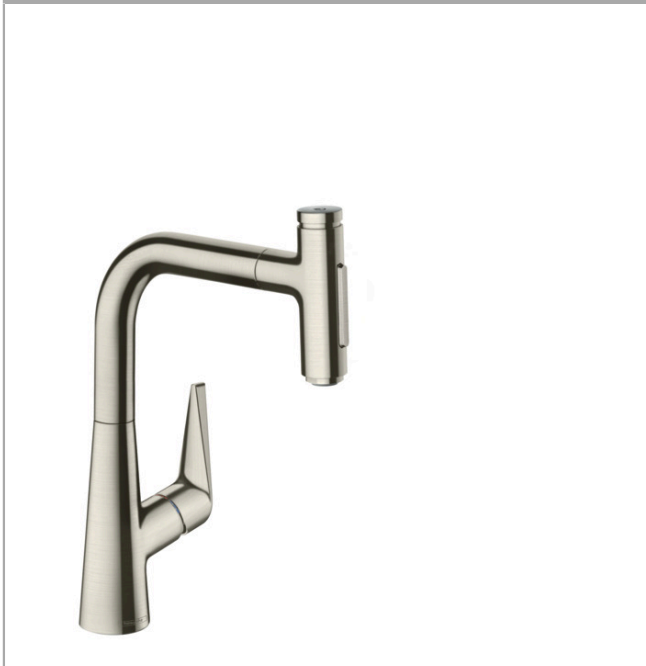
Technology



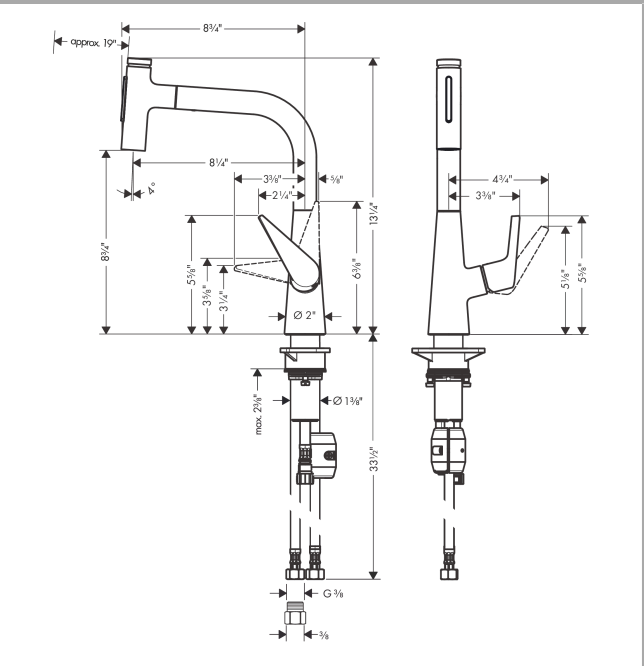
Compliance / Sustainability



Product image



Scale drawing

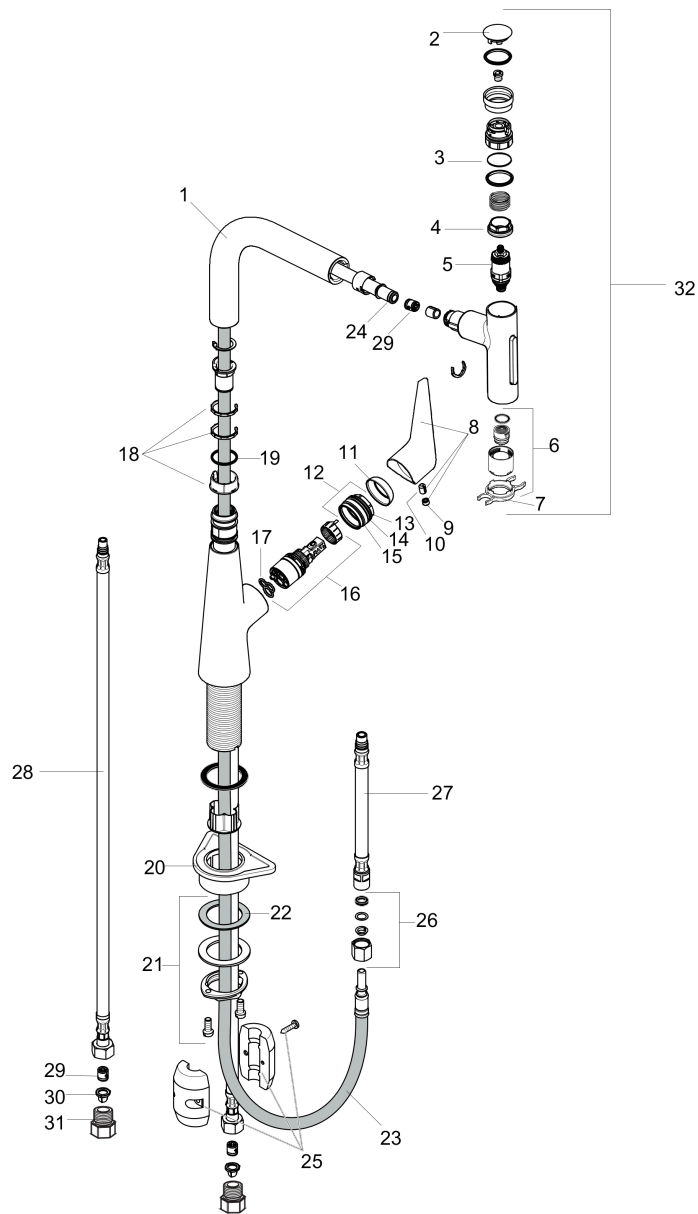


Talis Select S
Prep Kitchen Faucet, 2-Spray Pull-Out, 1.75 GPM
 Finish: **Steel Optic** Part no. : **72824801**



Exploded drawing

Year of production: >04/19



Talis Select S
Prep Kitchen Faucet, 2-Spray Pull-Out, 1.75 GPM
 Finish: **Steel Optic** Part no. : **72824801**



Spare parts list

Year of production: >04/19

Pos.	Description	Part no.	Price	PU
1	spout cpl.	93175800	-	1
2	cover	92566800	-	1
3	O-Ring 14x1,5	98201000	-	1
4	nut	92567000	-	1
5	shut off unit	98463000	-	1
6	spray former	93342001	-	1
7	service tool	95910000	-	1
8	handle	93148800	-	1
9	screw cover	95704000	-	1
10	hollow set screw M6x10 DIN 916	96029000	-	1
11	flange	98863800	-	1
12	nut	98864000	-	1
13	O-ring 23x2	98398000	-	1
14	O-ring 27x1,5	92527000	-	1
15	O-ring 25x1,5	98146000	-	1
16	cartridge, assy	97685000	-	1
17	seal	98865000	-	1
18	set of lever collars	98365000	-	1
19	O-ring 21x2,5	98211000	-	1
20	support	97523000	-	1
21	fixing set (Ø 34)	95049000	-	1
22	lever collar	97548000	-	1
23	hose 1,50 m	92569000	-	1
24	O-ring 8x2	98112000	-	1
25	weight	92500000	-	1
26	squeezing connection	96099000	-	1
27	connection hose 600 mm M10x1	92568000	-	1
28	connection hose 900 mm M8x0,75 G3/8	95372000	-	1
29	non return valve DW 10	96456000	-	1
30	filter packing	95291000	-	1
31	adapter for connection hose	88802000	-	1
32	handspray	93410801	-	1