

# STEAMIST®

Auto Drain

Model: AD-240 and AD-208

## Specifications – AD-240 and AD-208

**Electrical Information:** Connects to a factory installed Auto Drain terminal block, located inside the Generator cabinet.

**Product Information:** Normally Closed (N/C).  
Inlet & Outlet - ½" NPT Brass female thread.

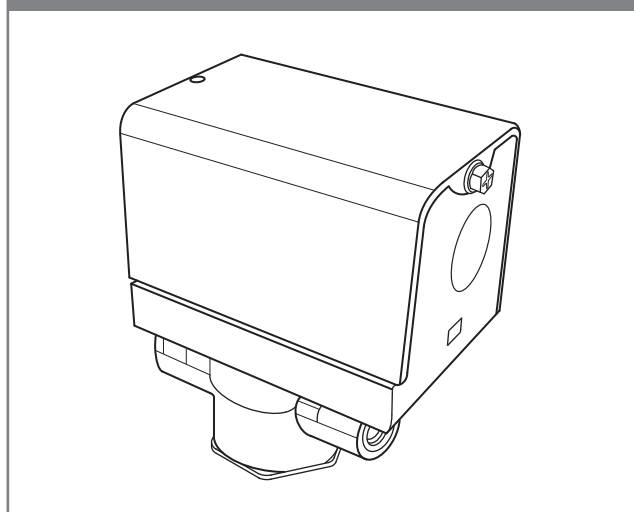
**Installation Notes:** Valve should be installed with arrow on cover pointing away from Generator. Pipe Auto Drain outlet to empty into floor drain. Outlet must have a minimum air gap of twice the diameter of the Auto Drain pipe.

**Product No. - Description:**

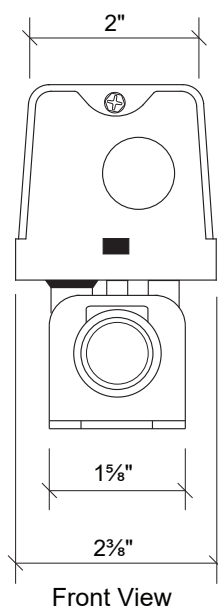
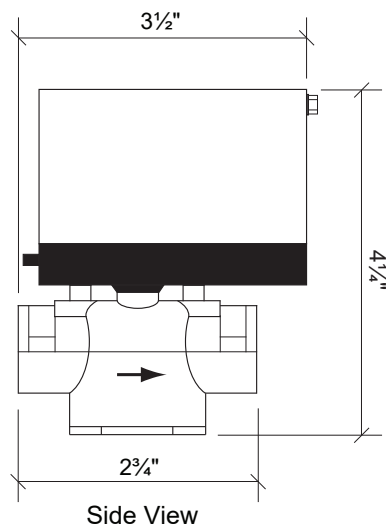
**AD-240** - To be used with 240Volt steam generators

**AD-208** - To be used with 208Volt steam generators

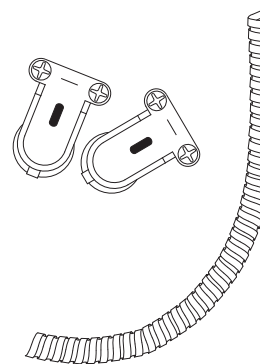
Auto Drain



## Dimensions



Supplied with Conduit  
and (2) Connectors



## Application Information

For use with only the following model steam generators:

TSG-7, TSG-10, TSG-12, and TSG-15.

SMP-5, SMP-7, SMP-10, SMP-12 and SMP-15.